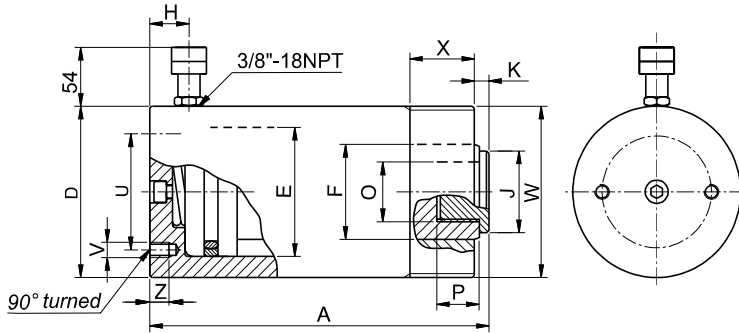


MULTI-PURPOSE CYLINDERS, SPRING RETURN



- Force 5 - 100 t
- Stroke 25 - 350 t
- Max working pressure 700 bar

SELECTION CHART

Pushing force t* kN	Stroke mm	Oil volume cm ³	MODEL	Closed height	External Dia.	Piston Dia.	Rod Dia.	Coupler height	Hollow saddle Dia.	Rod projection	Rod internal thread	Rod thread depth	PCD mounting holes	Base mounting holes_Holes depth	Collar thread_Thread length	Weight
				A mm	D mm	E mm	F mm	H mm	J mm	K mm	O mm	P mm	U mm	V/Z mm	W/X mm	kg
5 49,5	25	18	CMI5N25	92												1,1
	50	35	CMI5N50	117												1,3
	75	53	CMI5N75	142	40	30	25	19	24,5	2	M16x1,5	14	25	M6 10	M40x1,5 28	1,5
	125	88	CMI5N125	202												1,9
	175	124	CMI5N175	252												2,3
10 111	225	159	CMI5N225	302												2,7
	25	40	CMI10N25	83					33⊗	1⊗	-	-				2,0
	50	80	CMI10N50	120												2,6
	100	159	CMI10N100	170												3,5
	150	238	CMI10N150	245	60	45	35	19	34	5	M24x2	15	39	M8 12	M60x1,5 28	4,7
	200	318	CMI10N200	295												5,6
	250	398	CMI10N250	345												6,5
25 232	300	477	CMI10N300	408											M65x2 28	9,03
	350	557	CMI10N350	458	65			33								10
	25	83	CMI25N25	119												4,6
	50	166	CMI25N50	144												5,3
	100	332	CMI25N100	214												7,5
	150	498	CMI25N150	264	85	65	55	19	53	9	M32x2	16	58	M10 14	M85x2 40	8,8
	200	664	CMI25N200	314												10,2
30 309	250	830	CMI25N250	364												11,6
	300	996	CMI25N300	414												13,0
	350	1161	CMI25N350	464												15,0
	210	928	CMI30N210	386	102	75	55	47	53	9	M32x2	16	-	-	3 5/16"-12 49	18,4
	50	354	CMI50N50	164												14,2
50 496	100	709	CMI50N100	214	127	95	80	25	65	4	M16	12	95	M12 18	M125x2 40	17,4
	150	1063	CMI50N150	264												20,8
	325	2304	CMI50N325	439												32,6
100 929	100	1327	CMI100N100	246	175	130	100	26	85	4	M16	17	140	M12 18	M168x2 51	39,6
	150	1991	CMI100N150	296												46,0

* Nominal value, see kN for the exact force ⊗ Mounting holes for ZTT10 tilt saddle