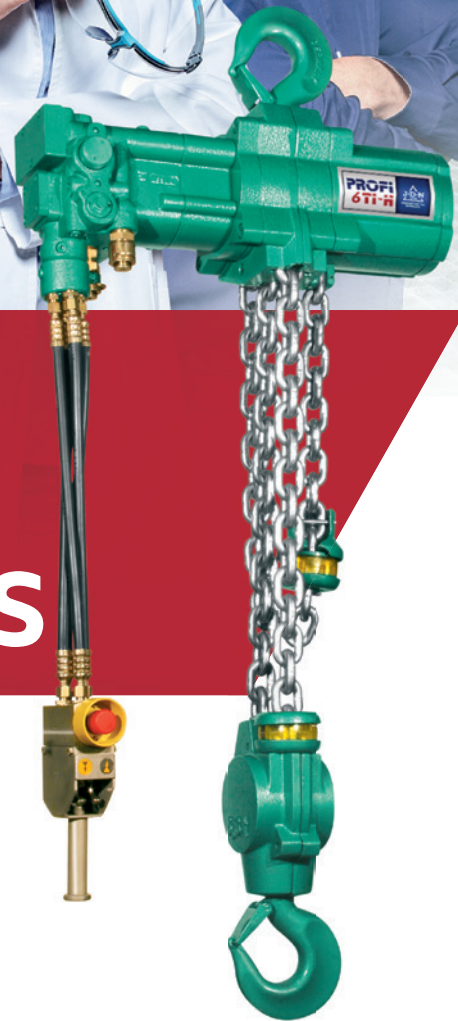




# JDN HYDRAULIC HOISTS AND MONORAIL HOISTS



# JDN HYDRAULIC HOISTS AND MONORAIL HOISTS

## HYDRAULIC HOISTS PROFI / HYDRAULIC MONORAIL HOISTS CAPACITIES: 3 T UP TO 100 T

JDN Hydraulic Hoists and Hydraulic Monorail Hoists are available with capacities from 3 t up to 100 t. Depending on motor size these hoists work with an intake pressure of 130 bar up to 180 bar. Pressure fluid: Oil.

### ADVANTAGES

- Ideally suited for working in hazardous areas (explosion risk)
- Extremely low noise emissions
- Fully enclosed highly robust gear motor
- Integrated overload protection
- Only two supply connections at hoist "P" and "T", leakage oil drained internally
- The drive is hermetically sealed off from the environment

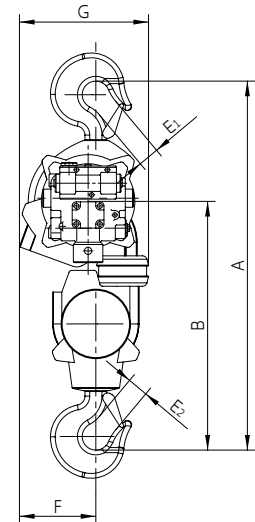


PROFI 6 TI-H

# HYDRAULIC HOISTS PROFI 3 TI-H UP TO 20 TI-H

## TECHNICAL DATA

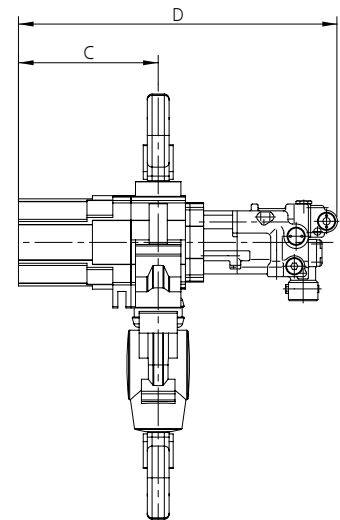
Type		3 TI-H	6 TI-H	10 TI-H	16 TI-H	20 TI-H
Capacity	mt	3.2	6.3	10	16	20
Intake pressure	psi bar	1885 130	1885 130	1885 130	1885 130	1885 130
Intake volume	cfm l/min	1.7 48	1.7 48	1.7 48	1.7 48	1.7 48
Number of chain strands		1	2	2	3	4
Motor output	kW	3.5	3.5	3.5	3.5	3.5
Motortype		KM 1/16	KM 1/16	KM 1/16	KM 1/16	KM 1/16
Lifting speed at full load	ft/min m/min	13.1 4.0	6.6 2.0	3.9 1.2	2.6 0.8	2.0 0.6
Lifting speed without load	ft/min m/min	14.8 4.5	7.6 2.3	4.1 1.25	2.7 0.82	2.0 0.6
Lowering speed at full load	ft/min m/min	14.8 4.5	7.6 2.3	4.3 1.3	2.8 0.85	2.1 0.65
Lowering speed without load	ft/min m/min	14.8 4.5	7.6 2.3	4.3 1.3	2.8 0.85	2.1 0.65
Connection		G ½	G ½	G ½	G ½	G ½
Hose dimension		DN 12	DN 12	DN 12	DN 12	DN 12
Weight at standard lift with control	lbs kg	198.4 90	251.3 114	352.7 160	538.0 244	637.1 289
Chain dimension	mm	13 x 36	13 x 36	16 x 45	16 x 45	16 x 45
Weight of chain	lbs/ft kg/m	2.6 3.8	2.6 3.8	3.9 5.8	3.9 5.8	3.9 5.8
Standard lift	ft m	10 3	10 3	10 3	10 3	10 3
Length of control at standard lift	ft m	6.5 2	6.5 2	6.5 2	6.5 2	6.5 2



Group mechanism: M3 (1 Bm)

## DIMENSIONS

Type		3 TI-H	6 TI-H	10 TI-H	16 TI-H	20 TI-H
A smallest headroom <sup>1</sup>	inch / mm	23.4 / 593	26.5 / 674	32 / 813	35.4 / 898	40.6 / 1030
B	inch / mm	14.7 / 373	17.9 / 454	21.6 / 548	23.5 / 598	26.4 / 670
C	inch / mm	9.2 / 233	9.2 / 233	12.2 / 308	15 / 382	15 / 382
D	inch / mm	22.8 / 578	22.8 / 578	26.4 / 670	31 / 787	31 / 787
E1	inch / mm	1.6 / 40	1.6 / 40	1.8 / 44	2.1 / 53	2.8 / 70
E2	inch / mm	1.2 / 30	1.6 / 40	1.8 / 44	2.1 / 53	2.8 / 70
F	inch / mm	7.4 / 187	6.1 / 154	7.8 / 197	7.8 / 199	7.1 / 180



<sup>1</sup>Chain containers increase the hoist headroom

# JDN HYDRAULIC HOISTS AND MONORAIL HOISTS

## HYDRAULIC HOISTS PROFI 25 TI-H UP TO 100 TI-H

### TECHNICAL DATA

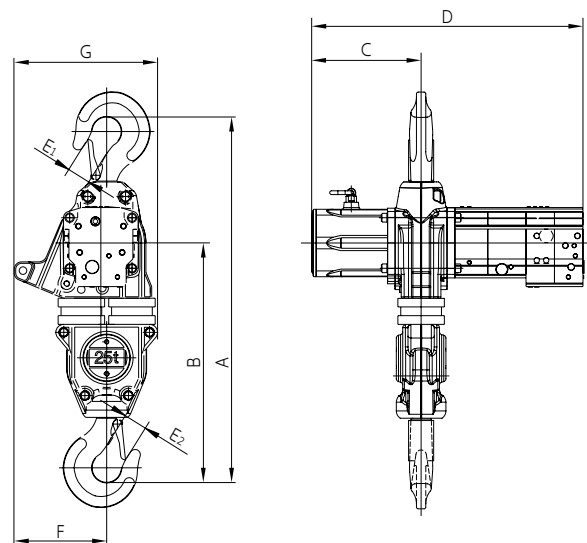
Type		25 TI-H	37 TI-H	50 TI-H	75 TI-H	100 TI-H
Capacity	mt	25	37.5	50	75	100
Intake pressure	psi	2176	2176	2176	2611	2611
	bar	150	150	150	180	180
Intake volume	cfm	2.8	2.8	2.8	3.0	3.0
	l/min	80	80	80	85	85
Number of chain strands		2	3	4	3	4
Motor output	kW	6	6	6	9	9
Motor type		KM 2/32	KM 2/32	KM2/32	KM2/32	KM2/32
Lifting speed at full load	ft/min	3.6	2.3	1.6	1.7	1.3
	m/min	1.1	0.7	0.5	0.53	0.4
Lifting speed without load	ft/min	3.9	2.6	1.6	2.0	1.5
	m/min	1.2	0.8	0.5	0.6	0.45
Lowering speed at full load	ft/min	3.9	2.6	1.6	2.0	1.5
	m/min	1.2	0.8	0.5	0.6	0.45
Lowering speed without load	ft/min	3.9	2.6	1.6	2.0	1.5
	m/min	1.2	0.8	0.5	0.6	0.45
Connection		G 3/4	G 3/4	G 3/4	G 3/4	G 3/4
Hose dimension		DN 16	DN 16	DN 16	DN 16	DN 16
Weight with standard lift and control	lbs	1282	2123	2068	4079	4519
	kg	583	965	940	1850	2050
Chain dimension	mm	23.5 x 66	23.5 x 66	23.5 x 66	32 x 90	32 x 90
Weight of chain	lbs/ft	8.2	8.2	8.2	14.3	14.3
	kg/m	12.2	12.2	12.2	21.3	21.3
Standard lift	ft	10	10	10	10	10
	m	3	3	3	3	3
Length of control with standard lift	ft	6.5	6.5	6.5	6.5	6.5
	m	2	2	2	2	2

Group mechanism: PROFI 25 TI-H – PROFI 100 TI-H M3 (1 Bm)

### DIMENSIONS

Type		25 TI-H	37 TI-H	50 TI-H	75 TI-H	100 TI-H
A smallest headroom <sup>1</sup>	inch	50.5	57.7	66.9	76.0	76.0
	mm	1282	1466	1700	1930	1930
B	inch	37.3	36.8	45	49.2	49.2
	mm	948	935	1144	1250	1250
C	inch	15.5	14.8	17.4	32.5	32.5
	mm	393	377	442	825	825
D	inch	42.1	40.8	48.6	64.4	64.4
	mm	1069	1037	1235	1635	1635
E <sub>1</sub>	inch	2.8	3.9	3.9	4.7	4.7
	mm	70	100	100	120	120
E <sub>2</sub>	inch	2.8	3.9	3.9	4.7	4.7
	mm	70	100	100	120	120
F	inch	18.4	20.4	12.2	15.9	14.4
	mm	466	518	310	405	365
G	inch	24	29.3	21.2	23.6	23.6
	mm	610	745	539	600	600

<sup>1</sup>Chain containers increase the hoist headroom





# HYDRAULIC MONORAIL HOISTS EH 20-H UP TO EH 100-H

## TECHNICAL DATA

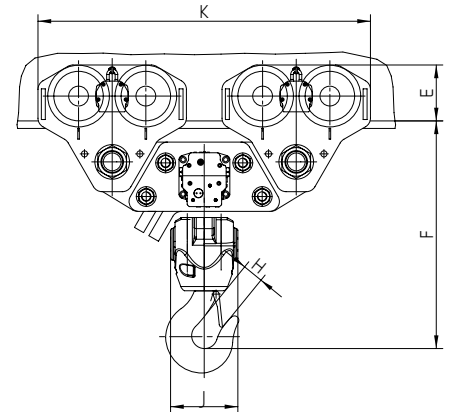
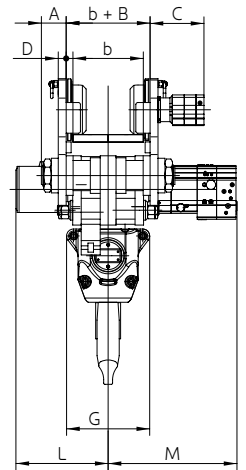
Type		EH 20-H	EH 25-H	EH 37-H	EH 50-H	EH 75-H	EH 100-H
Capacity	mt	20	25	37.5	50	75	100
Intake pressure	psi	1885	2176	2176	2176	2611	2611
	bar	130	150	150	150	180	180
Intake volume	cfm	1.7	2.8	2.8	2.8	3	3
	l/min	48	80	80	80	85	85
Number of chain strands		4	2	3	4	3	4
Motor output – Trolley	kW	0.7	1.4	1.4	1.4	2.8	2.8
Motor output – Hoist	kW	3.5	6	6	6	9	9
Motor type – Trolley		KM1/8	KM1/8	KM1/8	KM1/8	KM1/8	KM1/8
Motor type – Hoist		KM1/16	KM2/32	KM2/32	KM2/32	KM2/32	KM2/32
Lifting speed at full load	ft/min	2.0	3.6	2.3	1.6	1.7	1.3
	m/min	0.6	1.1	0.7	0.5	0.53	0.4
Lifting speed without load	ft/min	2.0	3.9	2.6	2	2	1.5
	m/min	0.6	1.2	0.8	0.6	0.6	0.45
Lowering speed at full load	ft/min	2.1	3.9	2.6	2	2	1.5
	m/min	0.65	1.2	0.8	0.6	0.6	0.45
Lowering speed without load	ft/min	2.1	3.9	2.6	2	2	1.5
	m/min	0.65	1.2	0.8	0.6	0.6	0.45
Travelling speed at full load	ft/min	39.4	39.4	39.4	39.4	39.4	39.4
	m/min	12	12	12	12	12	12
Connection		G ½	G ¾	G ¾	G ¾	G ¾	G ¾
Hose dimension		DN 12	DN 16	DN 16	DN 16	DN 16	DN 16
Weight with standard lift and control	lbs	1584	2310	3410	4136	8378	11354
	kg	720	1050	1550	1880	3800	5150
Chain dimension	mm	16 x 45	23.5 x 66	23.5 x 66	23.5 x 66	32 x 90	32 x 90
Weight of chain	lbs/ft	3.9	8.2	8.2	8.2	14.3	14.3
	kg/m	5.8	12.2	12.2	12.2	21.3	21.3
Standard lift	ft	10	10	10	10	10	10
	m	3	3	3	3	3	3
Length of control with standard lift	ft	6.5	6.5	6.5	6.5	6.5	6.5
	m	2	2	2	2	2	2

Group mechanism: EH 20-H – EH 100-H M3 (1 Bm)

## DIMENSIONS

Type		EH 20-H	EH 25-H	EH 37-H	EH 50-H	EH 75-H	EH 100-H
A <sup>1</sup>	inch	5.1	5.8	5.8	4.9	3.9	4.9
	mm	130	146	146	125	100	125
B	inch	2.7	2.8	2.8	2.7	2.7	2.7
	mm	68	70	70	68	68	68
C	inch	10.5	10.1	10.5	10.7	8.9	9.1
	mm	267	257	267	272	225	230
D	inch	1.4	1	1	1.6	1.4	1.6
	mm	35	25	25	40	35	40
E	inch	8.7	7.8	8.7	11.1	8.6	11.1
	mm	220	198	220	283	218	282
F <sup>1</sup>	inch	32.3	39.3	42.1	45.3	59.1	59.1
	mm	820	998	1070	1150	1500	1500
G	inch	7.9	6.7	7.5	16.5	18.9	22.6
	mm	200	170	190	420	480	575
H	inch	2.8	2.8	3.9	3.9	4.7	4.7
	mm	70	70	100	100	120	120
J	inch	10.5	13.8	17.9	13.4	17.9	18.5
	mm	266	350	455	340	455	470
K	inch	23.6	46.7	68.1	66.1	118.9	124.8
	mm	600	1185	1730	1680	3020	3170
L	inch	14.5	14.8	14.8	18.2	32.5	32.5
	mm	367	377	377	462	825	825
M	inch	16.5	22.1	22.1	27.0	31.7	31.7
	mm	420	562	562	687	805	805

<sup>1</sup>Chain containers increase the hoist headroom



EH 25-H



EH 20-H