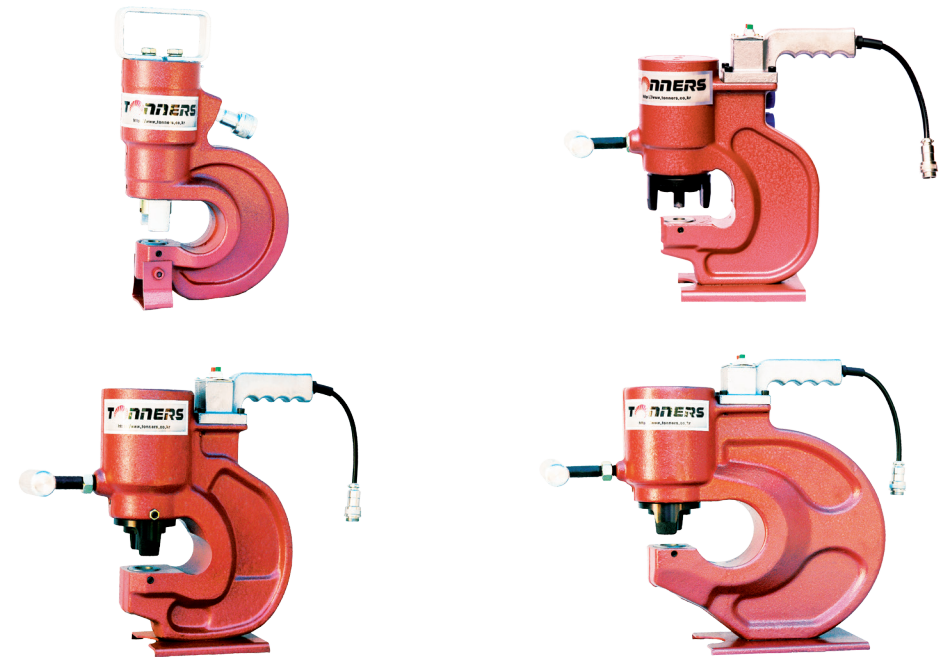
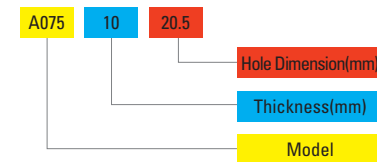


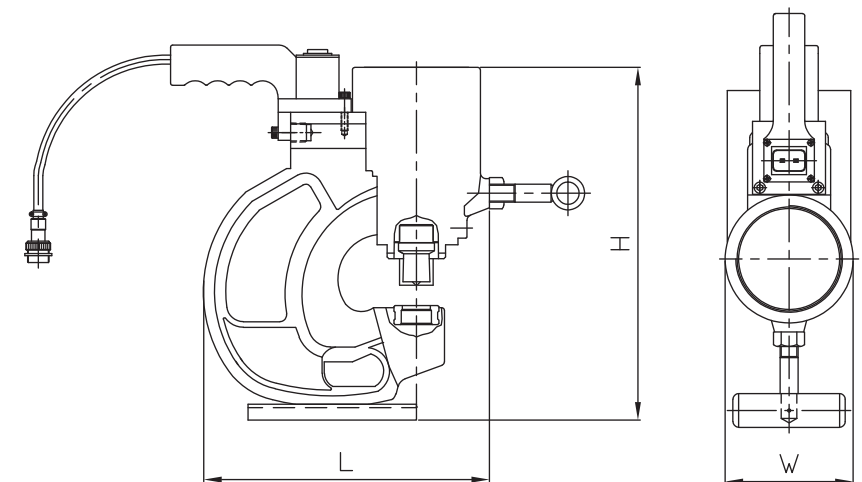
# Hydraulic Angle Punch



### Model information



### Dimension



### Feature

- used to bore angle and H-beam
- finished surface is clean and has high work efficiency
- convenient to carry as it is lightweight and small sized
- possible for long time boring work

Model No.	Punching Dia. (mm)	Punches & Dies (set)	Max. Ø (mm)	Thickness (t)	Center Deepness (mm)	Application Pump	Output (ton)	Dimension			Weight (kg)
								W	L	H	
A075-1020.5	10.5, 13.5, 17.5, 20.5	4	20.5	10	75	DMP-1HP	23	95	200	245	13
A075-1224	10, 12, 14, 16	4	24	12	75	DMP-1HP	32	95	220	290	15
A075-1624	16, 18, 20, 22, 24	5	24	16	75	DMP-2HP	45	115	260	320	21
A11-1624	16, 18, 20, 22, 24	5	24	16	110	DMP-2HP	45	120	330	360	28
B11-2024	18, 20, 22, 24	4	24	20	110	DMP-3HP	60	140	350	375	37
B11-2031	18, 20, 22, 24, 28, 31	6	31	20	110	DMP-3HP	75	180	450	440	75

# Products

## Hydraulic Tools

- Angle Punching Machine
- Grip Puller
- Pipe Bender
- Hydraulic Knockout Punch
- Water Tester
- Angle Cutter
- Cable Cutter
- Wire Rope Cutter
- Channel Cutter
- Angle Bending Machine
- Notching Machine
- Toe Jack
- Bolt Tensioner
- Terminal Crimping Tool



Cylinder  
Pump  
Hydraulic Tools  
Press  
Hydraulic equipment  
Accessory